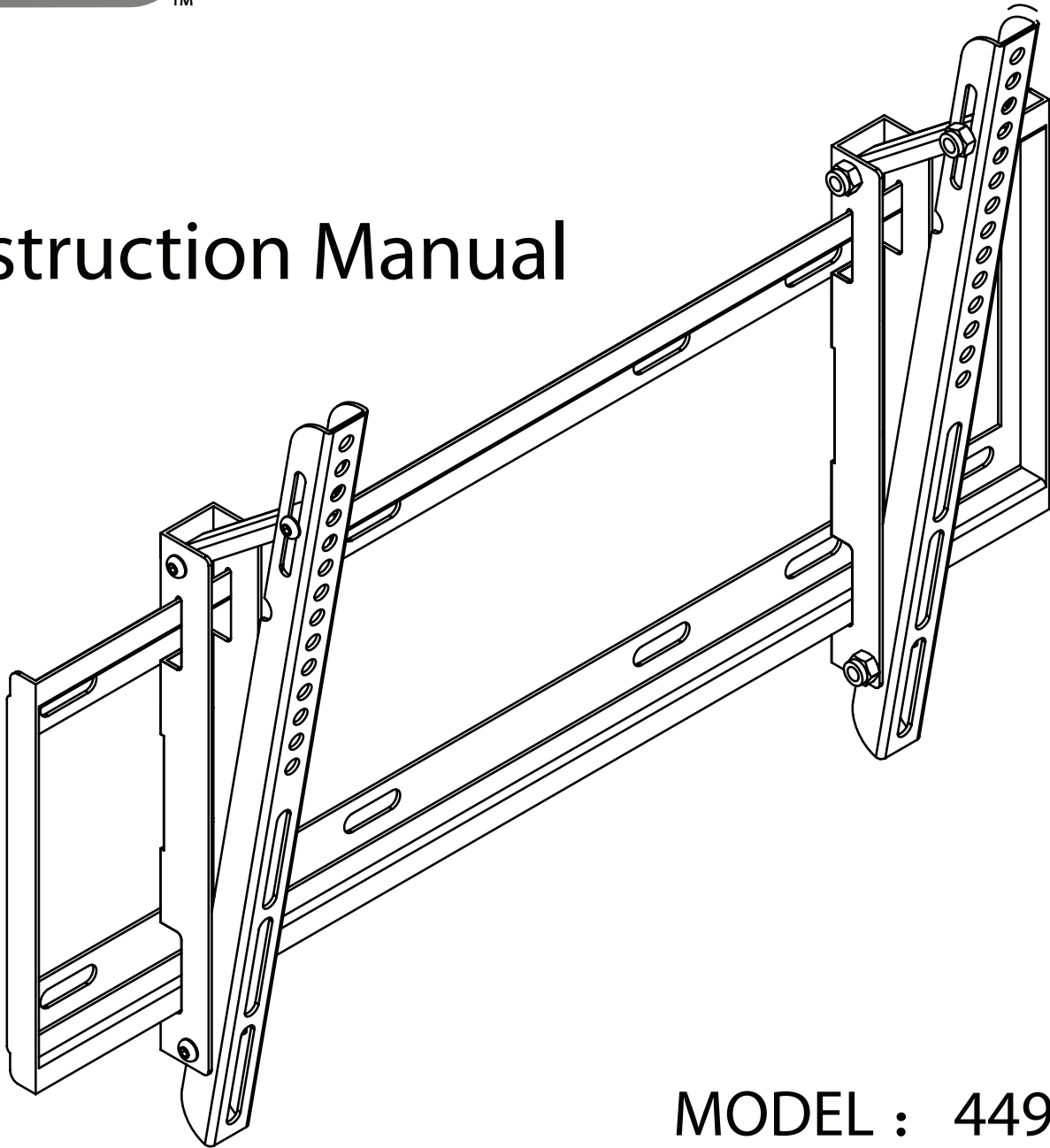




# mountwerkz™ HDTV MOUNT

## Instruction Manual



MODEL : 44920

---

Please read these instructions carefully before using.  
This model will hold 32-60 inch Plasma and LCD TVs.  
Load capacity: 65kg (140Lbs)

Thank you for purchasing MountWerkz™ flat panel TV mount. Your new MountWerkz™ mount has several features designed to enhance your ownership experience. All MountWerkz™ flat panel TV mounts include a built in level significantly simplifying the installation process. Your MountWerkz™ mount is designed to be used with TV screen sizes up to 60" and with a maximum weight capacity of 140 lbs. This mount has a proprietary tilting function, which allows for tailoring the viewing angle to your specific taste. All MountWerkz™ mounts are guaranteed against defects in material and workmanship for a period of 1 year from the original date of purchase. If you have any questions or experience any issues during this time please contact our customer service department support@mywerkz.com.

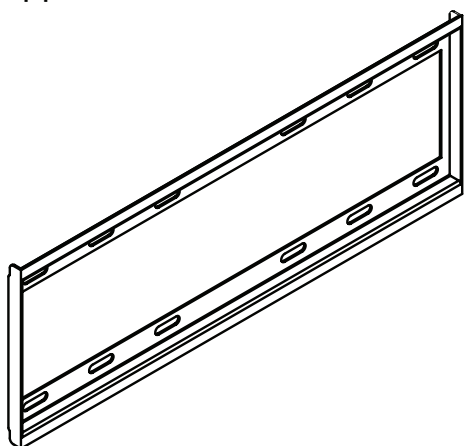
**Parts List**

- Mount frame (1)
- TV bracket (2)
- M6 Lag bolt (6)
- Concrete anchors (6)
- M5 x 12mm Phillips head screws (4)
- M5 x 30mm Phillips head screws (4)
- M6 x 12mm Phillips head screws (4)
- M6 x 35mm Phillips head screws (4)
- M8 x 16mm Phillips head screws (4)
- M8 x 40mm Phillips head screws (4)
- .75" plastic spacers (4)
- M8 washer (4)
- M6 washer (4)

**Tools Required for Installation**

- Phillips Screwdriver
- Drill
- Stud Finder
- 5/16" (8mm) drill bit for concrete and cinder block walls
- 5/32" (4mm) drill bit for wood stud walls
- Toothpick

© Supplied Parts and Hardware: Some parts not shown at same scale














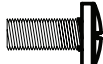

Mount Frame 1pc



Bracket 2pcs

© Assembly Hardware:

						
M6 Washer 4pcs	M6 Lag Bolt 6pcs	Concrete Anchors 6pcs	Hex Wrench 1pc	Wrench 1pc	M8 Washer 4pcs	Plastic Spacer 4pcs

					
M5X12mm 4pcs	M5X30mm 4pcs	M6X12mm 4pcs	M6X35mm 4pcs	M8X16mm 4pcs	M8X40mm 4pcs

## Warning!

Before installing your new MountWerkz™ unit, please read and fully understand the instructions and warnings contained in this manual. Failure to follow these instructions completely can result in serious bodily injury, damage to the equipment or voiding of the warranty. The installer is responsible for following these instructions to ensure that all components are installed correctly. It is recommended that the installer have an assistant to help them safely and securely complete the installation.

- Installations should be performed by someone with proper mechanical skills and experience in basic assembly.
- The surface where the unit is to be installed should be inspected to verify the weight of the equipment being installed can be supported. The mounting surface should be able to support at least 5 times the total weight of all equipment being installed. Not following these guidelines can result in damage to not only the mounting surface, but the unit and equipment as well. If necessary, reinforce the mounting surface to properly accommodate the installed equipment.
- It is the responsibility of the installer to make sure the installed equipment does not exceed the maximum (140 lbs) weight indicated for this unit.
- Always inspect the area behind the mounting surface. Make sure it is free of gas, water or waste lines and electrical cables and wires.
- Never use screws of improper length or diameter as they may damage your HDTV.
- Make sure to tighten all screws properly, but do not over tighten. Over tightening can greatly reduce the screws ability to securely support the unit and the attached equipment.

## Wood Stud Mounting

### Caution!

To ensure that this unit is properly attached to the mounting surface, the wall frame must be mounted to two studs at least 16" apart. Using an assistant is highly recommended.

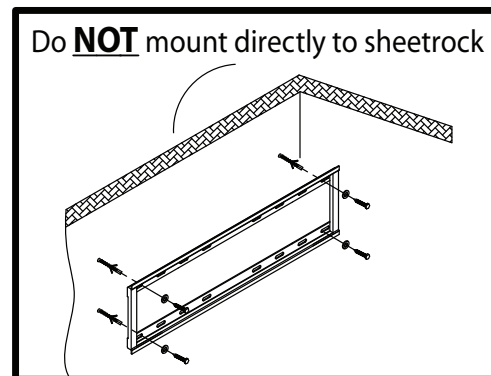
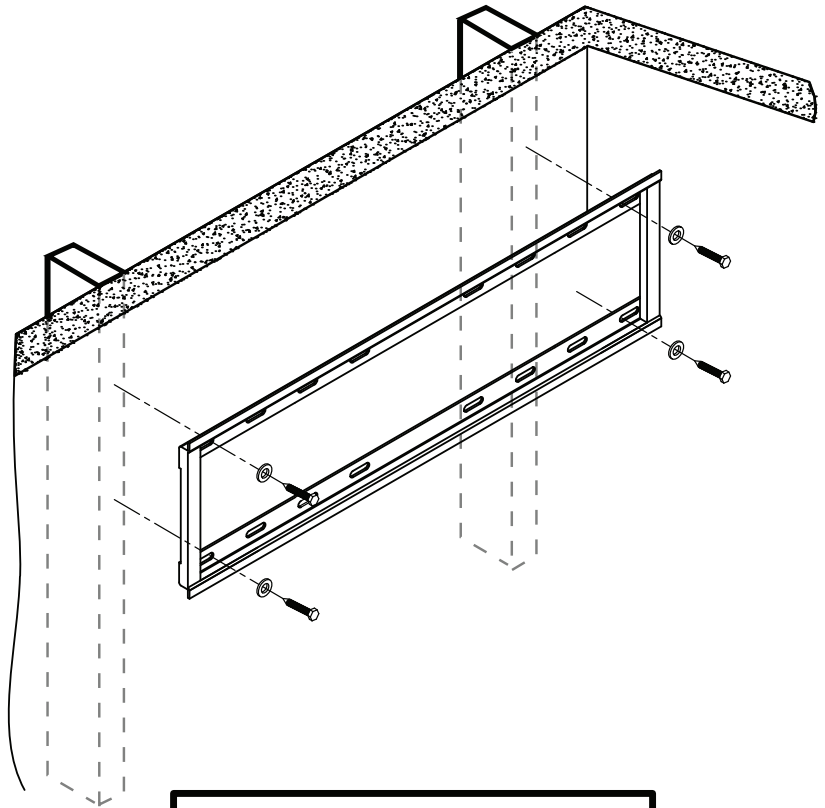
- 1) Use a stud finder to locate a stud.
- 2) Making sure the mount frame is level, use it as a guide to mark the mounting holes. You will need to mark at least 4 mounting holes.
- 3) Pre-drill a  $\frac{5}{32}$ " hole in each stud at the spot marked in the last step.
- 4) With the help of your assistant, place the mount frame against the wall and line up the appropriate slots with the pre-drilled holes.
- 5) Match an M6 lag bolt with an M6 washer and insert them through the mount frame and into each of the pre-drilled holes.
- 6) Carefully tighten each bolt. Take care not to over tighten any of the bolts. Over tightening may result in damage to the wall. Make sure not to release the frame until it is secured to the mounting surface. Doing so might cause the unit to no longer be level.

## Concrete Mounting

### Caution!

To ensure that the unit is properly attached to the mounting surface, the supplied anchors must be used when installing in concrete or cinder block. Using an assistant is highly recommended. **DO NOT** drill into grout or mortar between blocks.

- 1) Hold the frame securely against the wall, ensuring it is level.
- 2) Mark at least 6 holes to be drilled. These will be used for securing the frame.
- 3) Set the frame aside while drilling.
- 4) Drill the holes using a  $\frac{5}{16}$ " masonry drill bit.
- 5) Put a concrete anchor into each of the holes you just drilled.
- 6) Using a hammer, gently tap each anchor until they are flush with the wall.
- 7) Hold the frame in the proper position against the wall.
- 8) Match an M6 lag bolt with an M6 washer and insert them through the wall frame and into each of the pre-drilled holes.
- 9) Carefully tighten each bolt. Take care not to over tighten any of the bolts. Over tightening may result in damage to the wall. Make sure not to release the frame until it is secured to the mounting surface. Doing so might cause the unit to no longer be level.

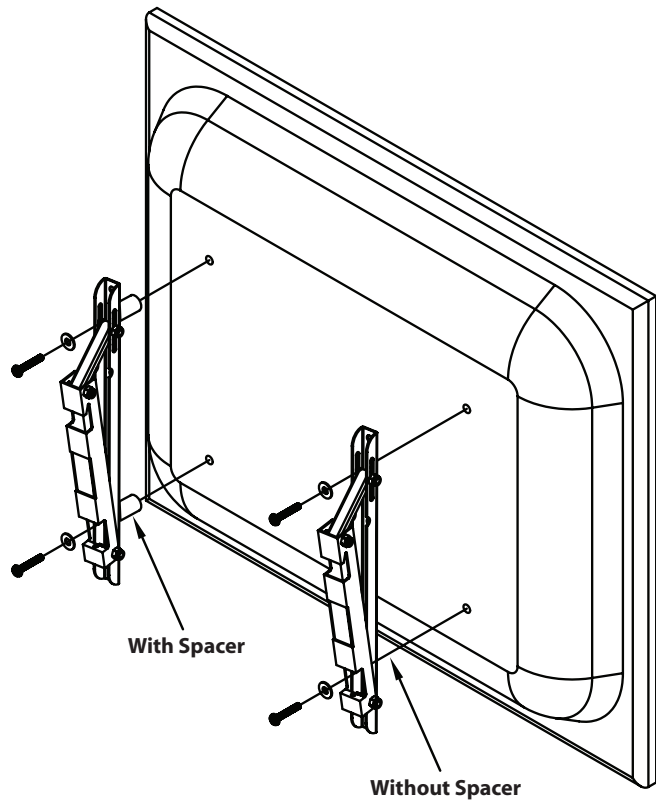


## Mounting the brackets to the TV

### Caution!

This kit includes screws of varying sizes designed to fit a wide of range of TV's. Make sure to use the proper screw size for your specific TV. Failure to do so can result in damage to your TV.

- 1) Lie your TV screen side down on a flat, soft surface.
- 2) Locate the threaded mounting inserts on the back of the TV.
- 3) Select the proper size screw. To determine the proper length, use a toothpick and mark how deep the mounting insert is. Using too long of a screw can damage the TV.
- 4) If your TV has a recessed mounting insert or a curved back panel, the supplied spacer must be used.
- 5) Put the spacer between the TV and the bracket.
- 6) Put a washer on the screw you selected in step 3 and carefully tighten into the mounting insert. Take care not to over tighten any of the screws. Over tightening may result in damage to the TV.

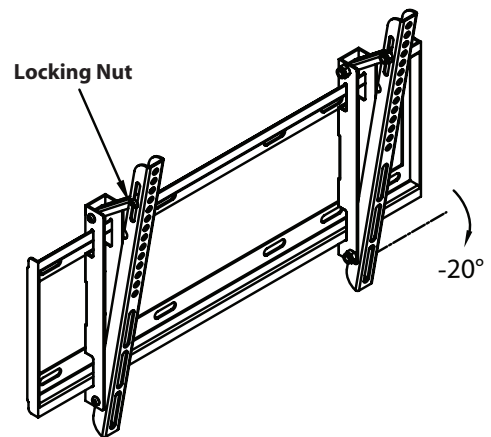
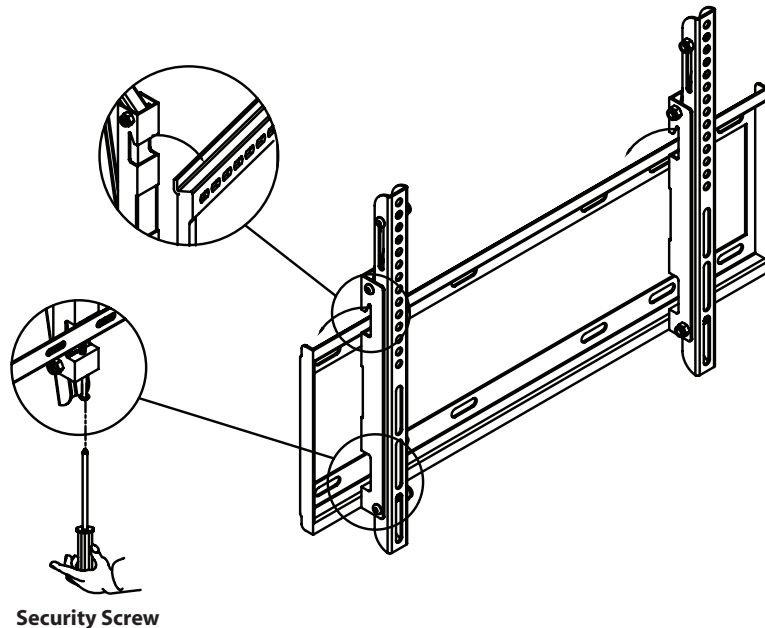
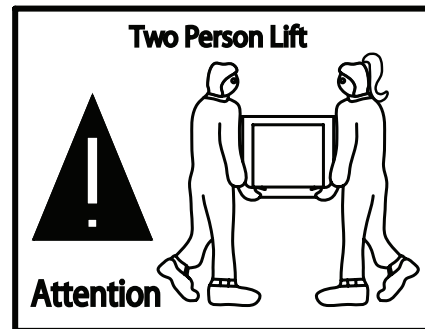


## Hanging the TV

### Caution!

Use of an assistant is required for this step

- 1) Carefully place the TV brackets over the upper and lower flanges of the wall frame.
- 2) Adjust the tilting function to the specific viewing requirements of your room and tighten the locking nut on each bracket. The locking nut is the one at the top that secures the position of the TV.
- 3) Tighten the security screw that is pre-threaded into the TV bracket until it is snug against the wall frame.
- 4) Sit back and enjoy your newly mounted TV!



## Limited One Year Warranty

MountWerkz™ warrants this product at the time of sale to be free from manufacturing defects in materials and workmanship. MountWerkz™ will replace this product for such defects within one year from the date of purchase to the original purchaser. Normal wear and tear are excluded from this warranty. There are no warranties which extend beyond the description on the face hereof. For more information, visit [www.mywerkz.com](http://www.mywerkz.com)